

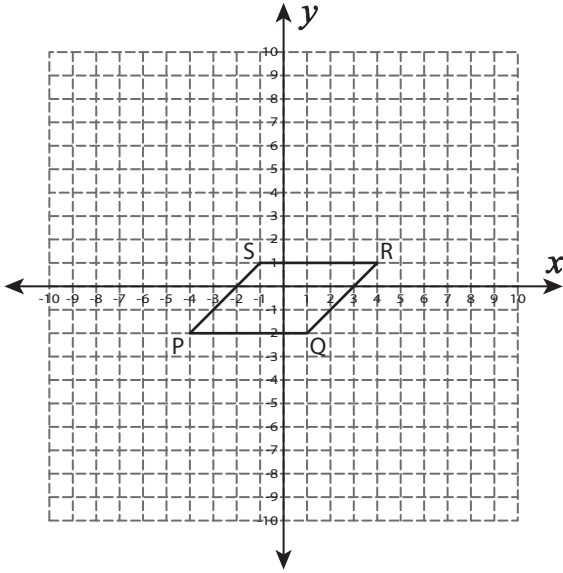
Name : _____

Dilated Coordinates

T2S1

Find the dilated coordinates with the given scale factor. Also draw the dilated image.

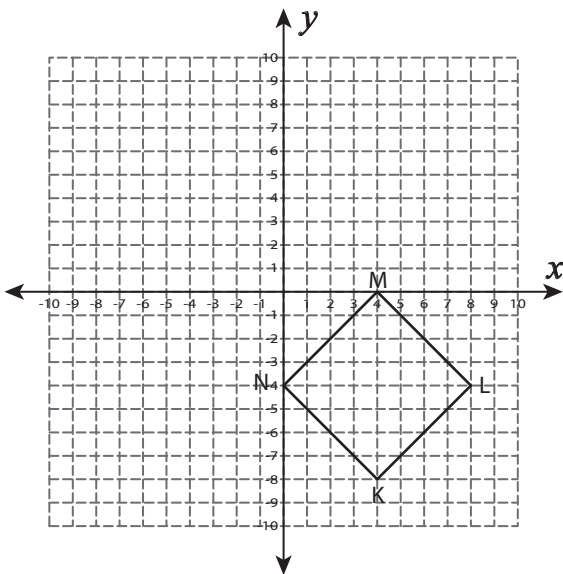
1) Scale factor = 2



P' : _____ , Q' : _____

R' : _____ , S' : _____

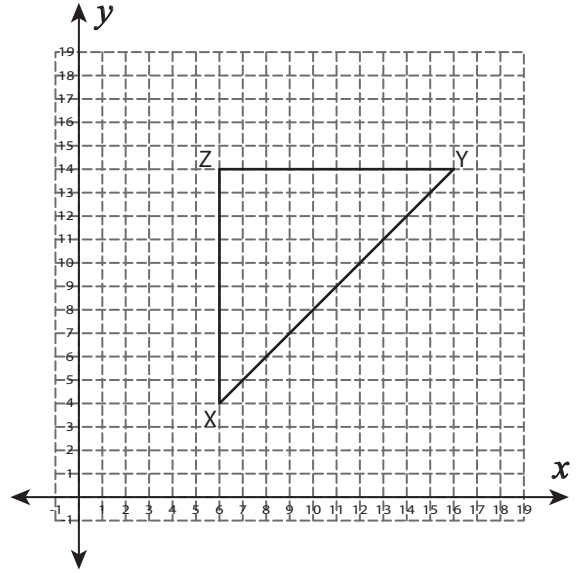
3) Scale factor = $\frac{1}{4}$



K' : _____ , L' : _____

M' : _____ , N' : _____

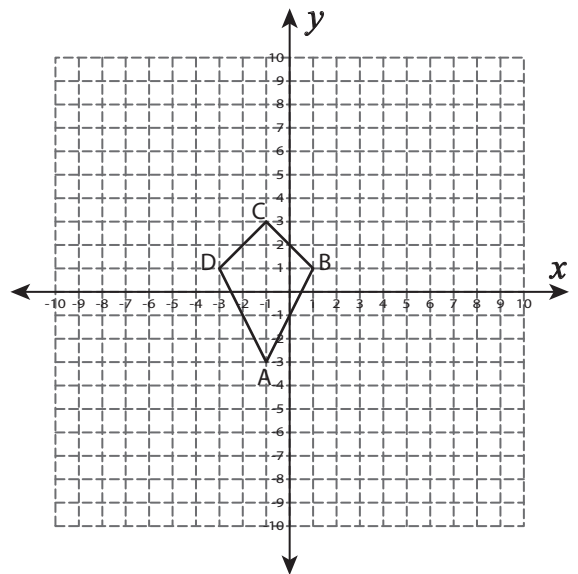
2) Scale factor = 0.5



X' : _____ , Y' : _____

Z' : _____

4) Scale factor = 3



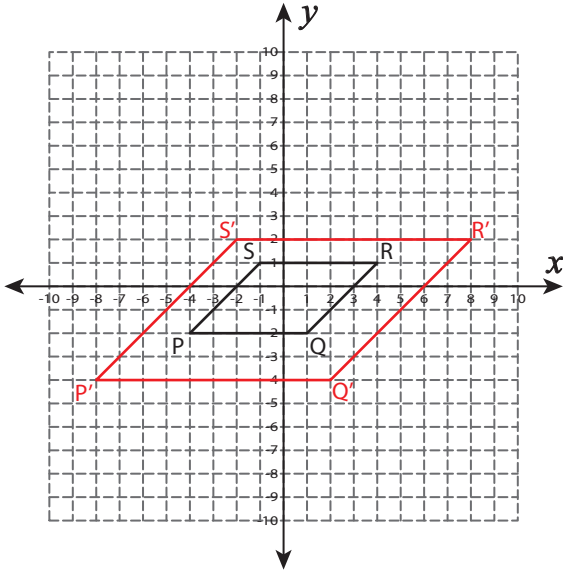
A' : _____ , B' : _____

C' : _____ , D' : _____

Dilated Coordinates

Find the dilated coordinates with the given scale factor. Also draw the dilated image.

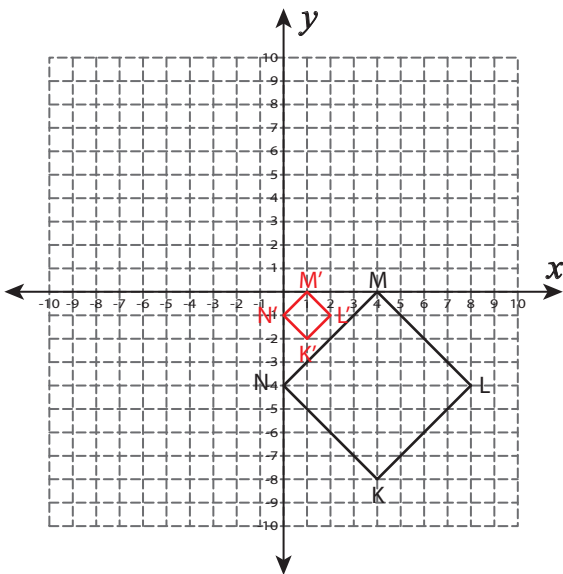
1) Scale factor = 2



P' : (-8, -4) , Q' : (4, -4)

R' : (8, 2) , S' : (-4, 2)

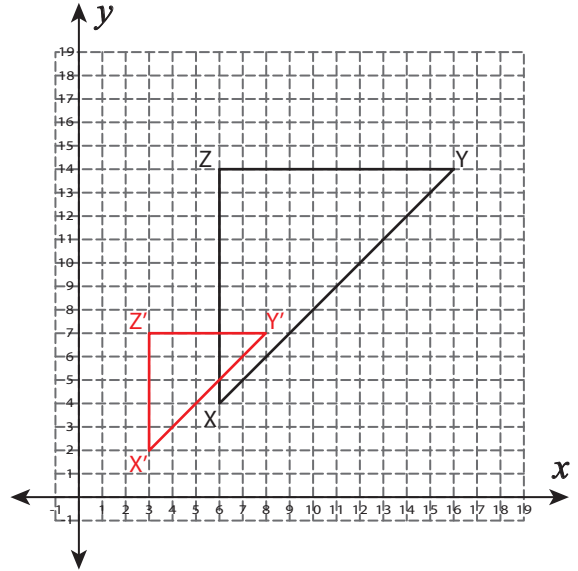
3) Scale factor = $\frac{1}{4}$



K' : (1, -2) , L' : (2, -1)

M' : (1, 0) , N' : (0, -1)

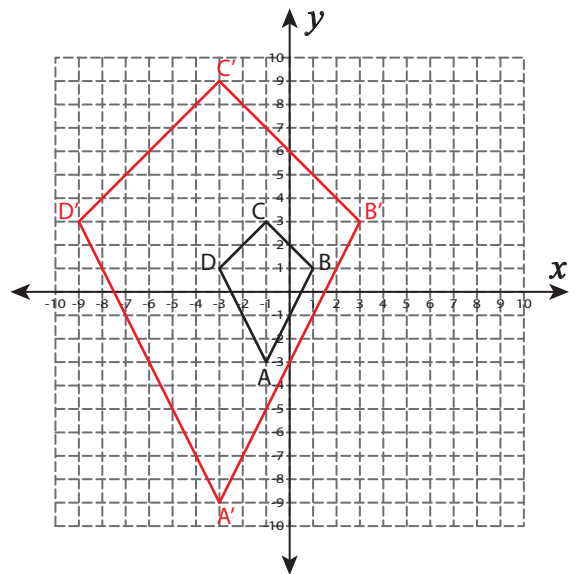
2) Scale factor = 0.5



X' : (3, 2) , Y' : (8, 7)

Z' : (3, 7)

4) Scale factor = 3



A' : (-3, -9) , B' : (3, 3)

C' : (-3, 9) , D' : (-9, 3)