

Name : _____

Score : _____

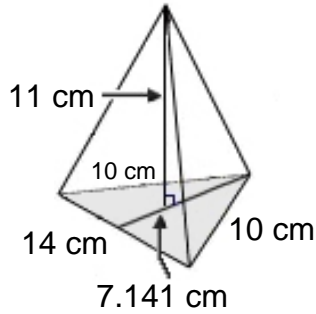
Teacher : _____

Date : _____

Volume of Prisms, Pyramids, Cylinders, and Cones

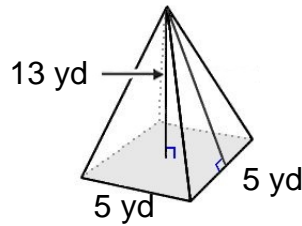
Find the volume of each figure. Round answers to the nearest hundredth, if necessary.

1)



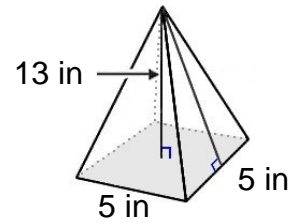
Volume: _____

2)



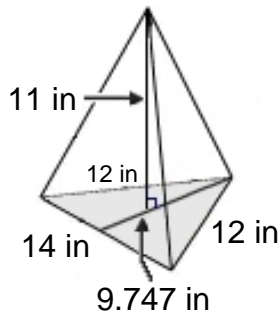
Volume: _____

3)



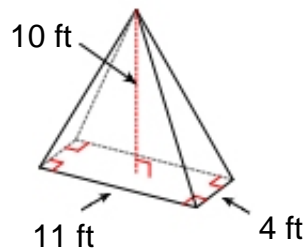
Volume: _____

4)



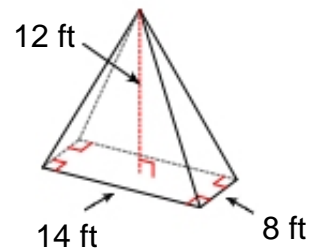
Volume: _____

5)



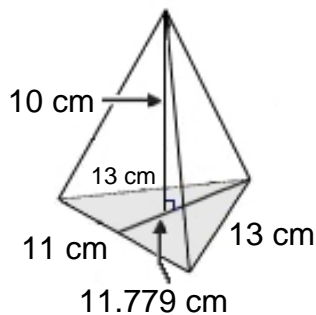
Volume: _____

6)



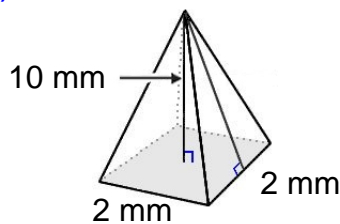
Volume: _____

7)



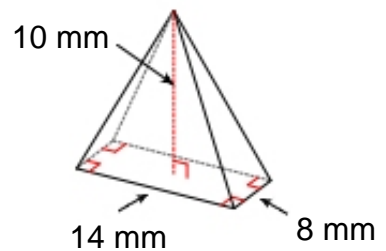
Volume: _____

8)



Volume: _____

9)



Volume: _____



Name : _____

Score : _____

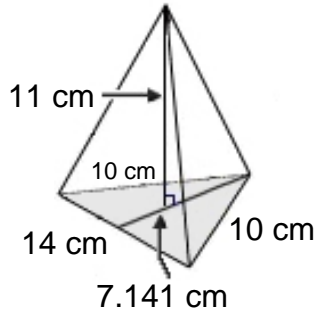
Teacher : _____

Date : _____

Volume of Prisms, Pyramids, Cylinders, and Cones

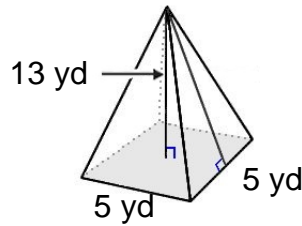
Find the volume of each figure. Round answers to the nearest hundredth, if necessary.

1)



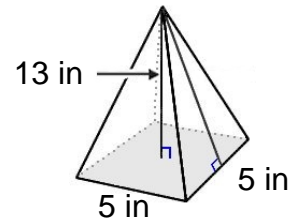
Volume: 183.29 cm³

2)



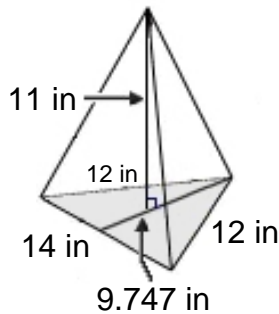
Volume: 108.33 yd³

3)



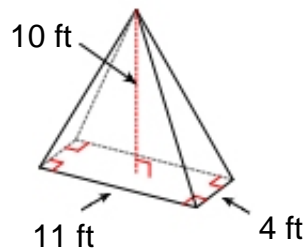
Volume: 108.33 in³

4)



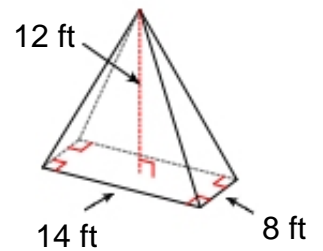
Volume: 250.17 in³

5)



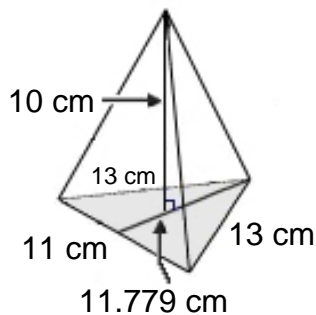
Volume: 146.67 ft³

6)



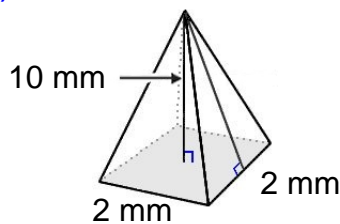
Volume: 448.00 ft³

7)



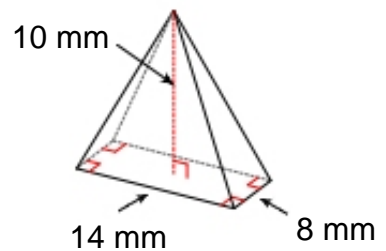
Volume: 215.95 cm³

8)



Volume: 13.33 mm³

9)



Volume: 373.33 mm³

