

Name : _____

Score : _____

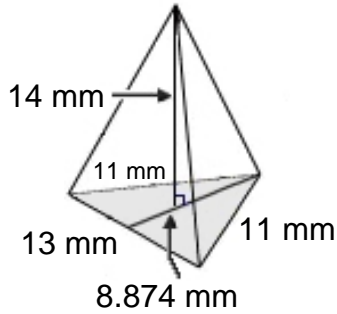
Teacher : _____

Date : _____

Volume of Prisms, Pyramids, Cylinders, and Cones

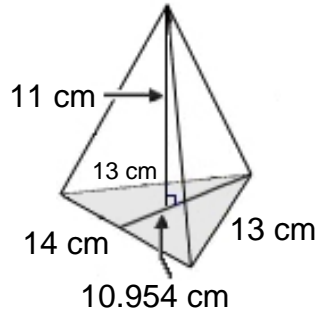
Find the volume of each figure. Round answers to the nearest hundredth, if necessary.

1)



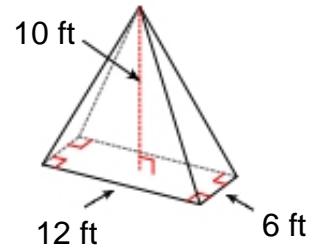
Volume: _____

2)



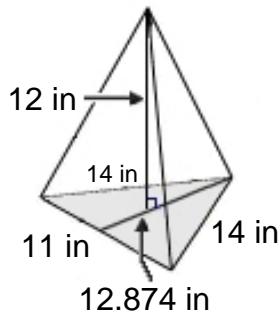
Volume: _____

3)



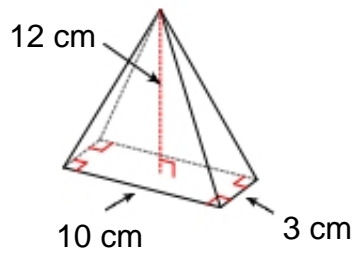
Volume: _____

4)



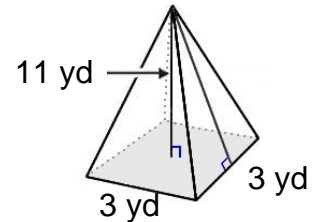
Volume: _____

5)



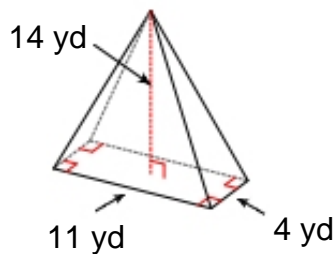
Volume: _____

6)



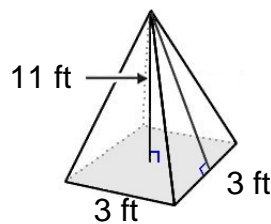
Volume: _____

7)



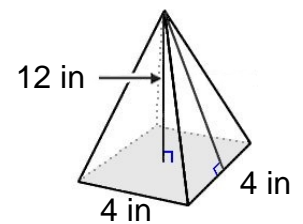
Volume: _____

8)



Volume: _____

9)



Volume: _____



Name : _____

Score : _____

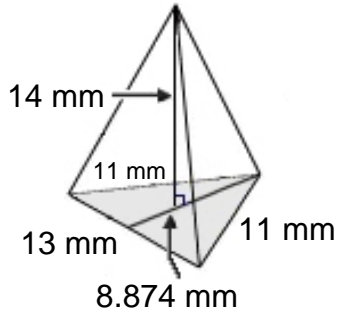
Teacher : _____

Date : _____

Volume of Prisms, Pyramids, Cylinders, and Cones

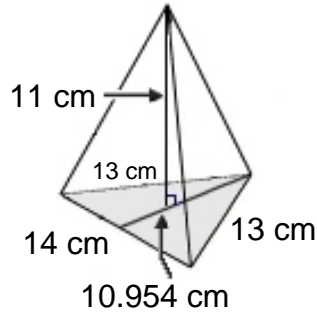
Find the volume of each figure. Round answers to the nearest hundredth, if necessary.

1)



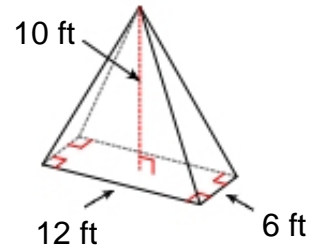
Volume: 269.18 mm³

2)



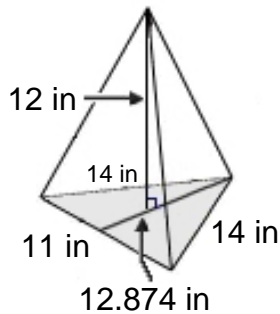
Volume: 281.15 cm³

3)



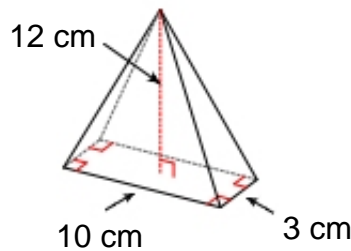
Volume: 240.00 ft³

4)



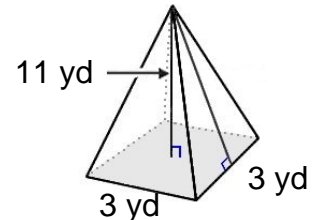
Volume: 283.23 in³

5)



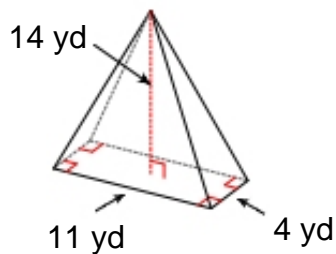
Volume: 120.00 cm³

6)



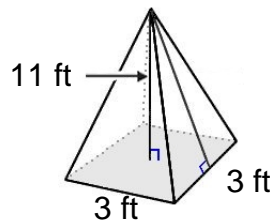
Volume: 33.00 yd³

7)



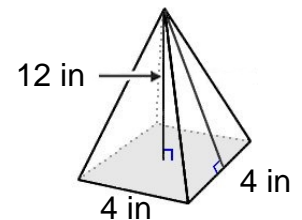
Volume: 205.33 yd³

8)



Volume: 33.00 ft³

9)



Volume: 64.00 in³

